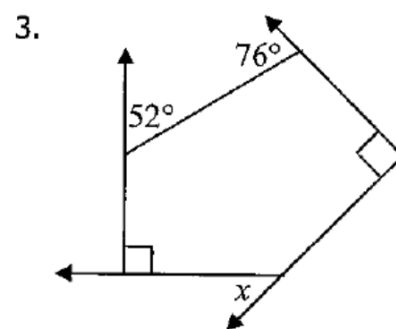
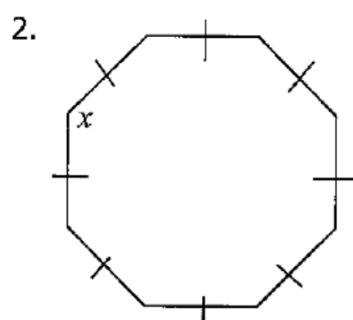
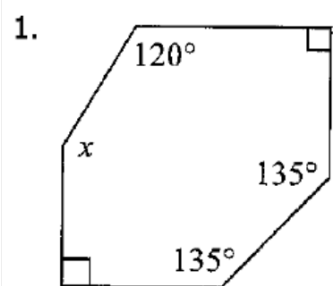
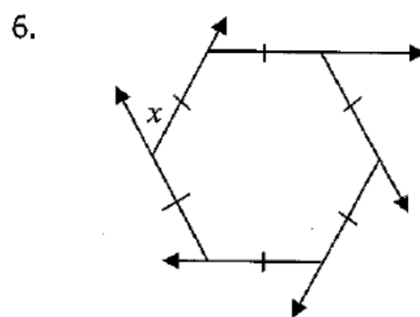
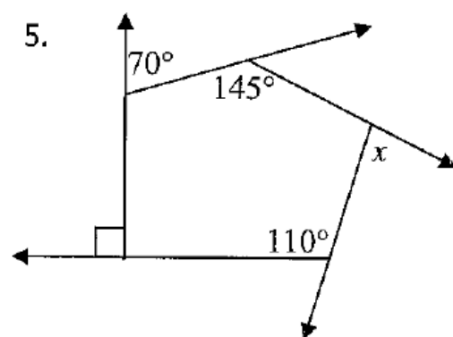
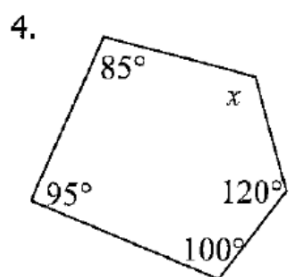


Find the value of x



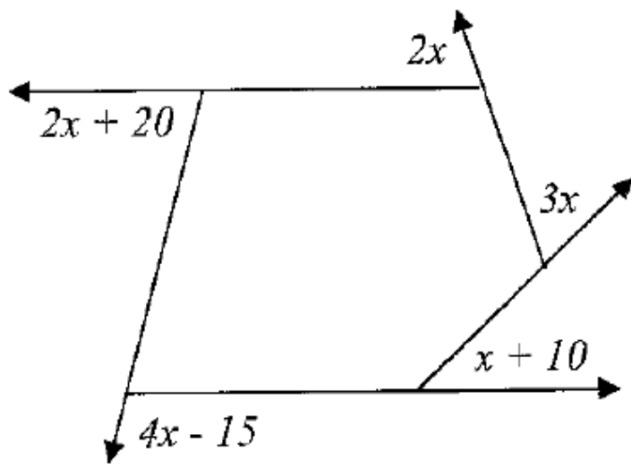
Find the value of x



8. If the sum of the interior angles of a polygon is 5040° , then the polygon has how many sides?

9. The measure of each interior angle of a regular polygon is 144° . How many sides does the polygon have?

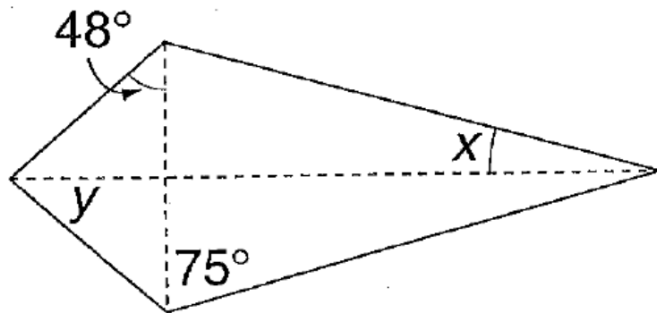
12. Find the value of x .



15. A convex heptagon has interior angles that measure 120° , 115° , 135° , 95° , 155° , and 125° . What is the measure of the seventh interior angle?

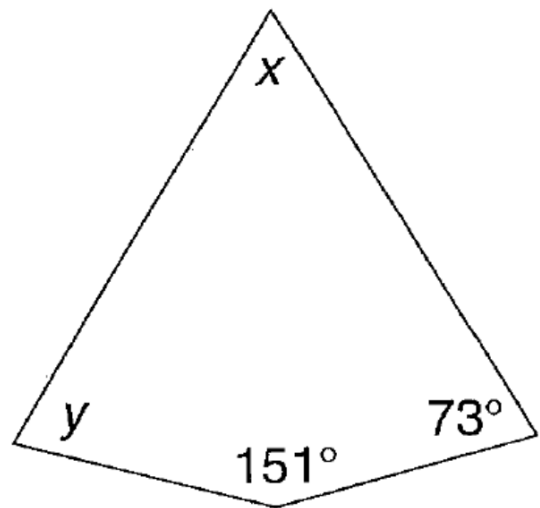
The figures in Problems 1 and 2 are kites. Find x and y for each.

1.



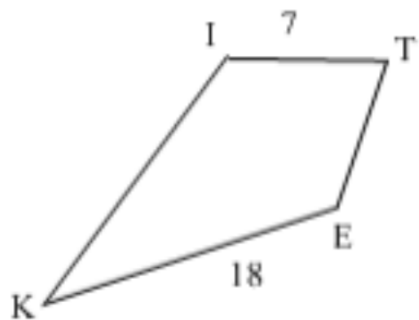
$$x = \underline{\hspace{2cm}} \quad y = \underline{\hspace{2cm}}$$

2.

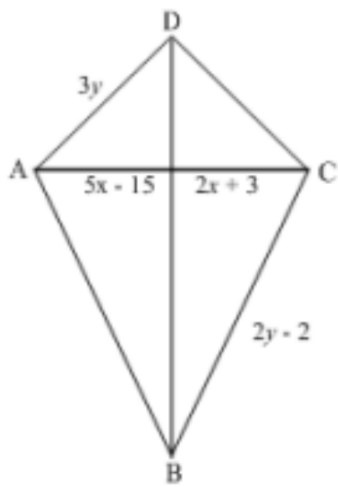


$$x = \underline{\hspace{2cm}} \quad y = \underline{\hspace{2cm}}$$

6. Find the perimeter of kite KITE.



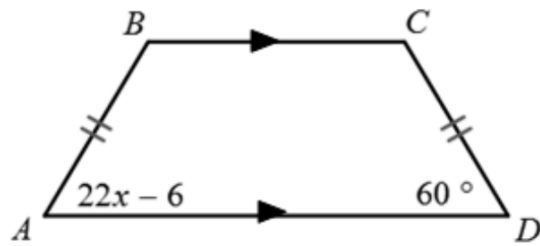
9. If the perimeter of kite $ABCD = 86$ feet, find x and y .



This is an _____.

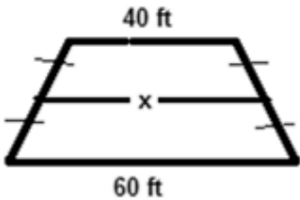
$x =$ _____

$\angle A =$ _____ $\angle B =$ _____ $\angle C =$ _____



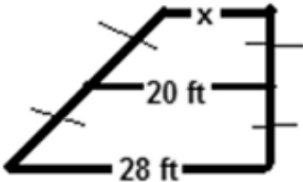
Find the missing measure (median is the middle support) of the trusses shown below.

a)



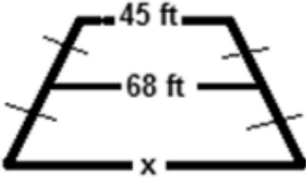
$x =$ _____

b)



$x =$ _____

c)



$x =$ _____

Find the value of x

